



Vision Starter Cable Routing

RECALL

Models Affected: 2008-2009 BBCV Visions with Caterpillar C707 Engines

ISSUE

Starter cable may have been installed on the incorrect power stud which could cause the 4 gauge cable to be compromised during cranking process.

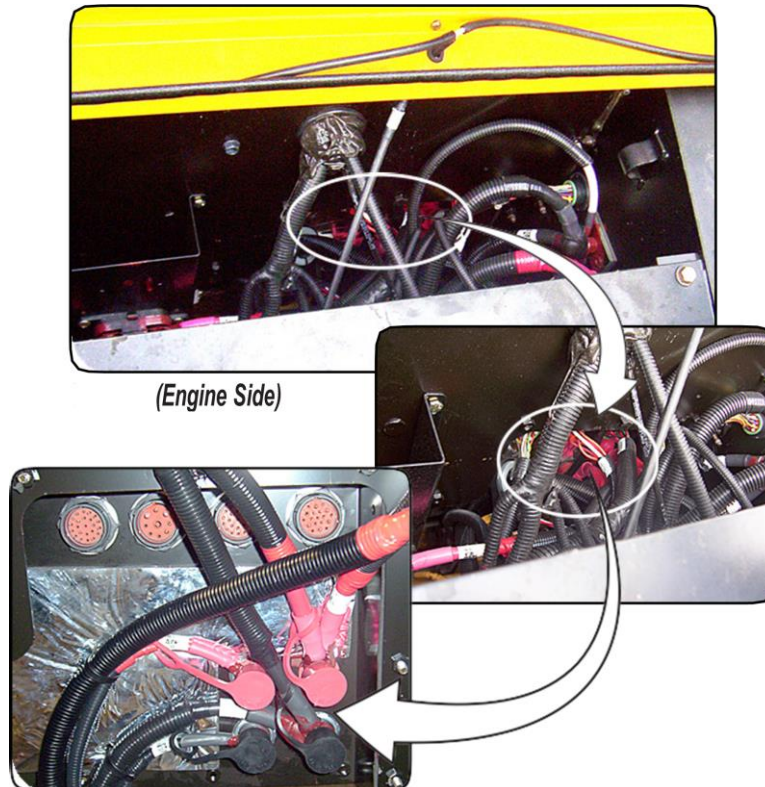
CORRECTIVE ACTION

If starter cable is installed incorrectly, relocate starter cable from Electrical Power Stud to Chassis Power Stud. Inspect 4 gauge battery cable from Electrical Power Stud to battery for any damage and replace any damaged cable.

PROCEDURE

WARNING: Always follow all Federal, State, Local and Shop safety standards and use proper safety equipment, and thoroughly read and understand all instructions before performing these procedures.

1. Park vehicle on a level surface, apply parking brake, turn engine off, remove ignition key, and chock wheels.
2. Disconnect batteries.
3. Open engine hood and locate the Chassis Power and Electrical Power Studs.



RECALL CAMPAIGN - R I 6 Y L - C



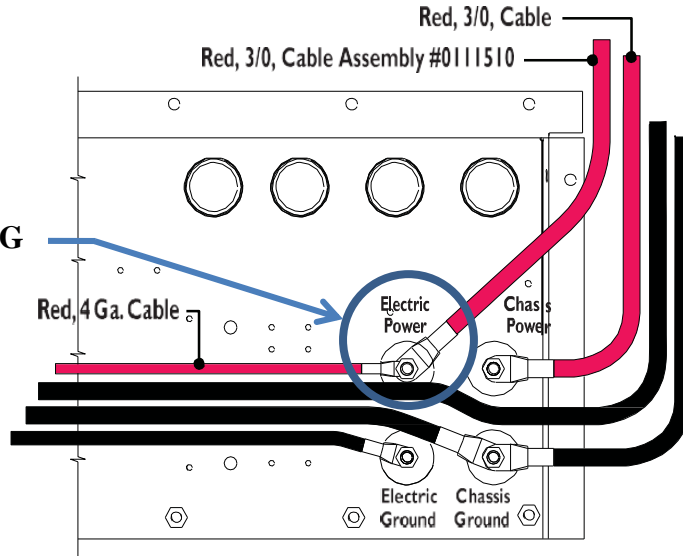
BLUE BIRD

Vision Starter Cable Routing

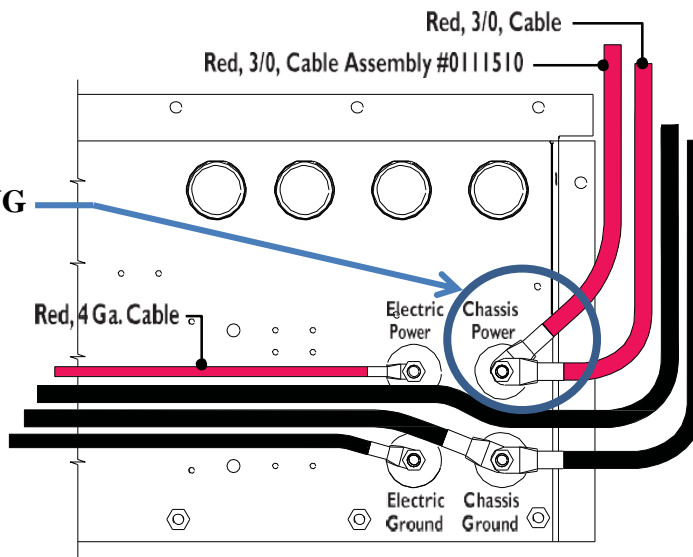
RECALL

4. The lower end of Cable Assembly 0111510 should be attached to the Chassis Power Stud. If the cable is in this location, no further action required. If the lower cable end is attached to the Electrical Power Stud, remove it and attach it to the Chassis Power Stud. (See figures below)
5. Tighten both stud nuts to 11-15 ft.lbs. and apply a corrosion protection such as red glyptal.

INCORRECT ROUTING



CORRECT ROUTING



R 1 6 Y L - C

RECALL CAMPAIGN



Vision Starter Cable Routing

RECALL

6. If the cable was installed on the incorrect stud, inspect the red 4 gauge battery cable from the Electric Power Stud to the battery for any damage to the insulation or cable. If the cable has any damage, replace cable.
Note: If the bus is equipped with a battery disconnect switch, inspect red 4 gauge cable from Electric Power Stud to battery disconnect switch and from the switch to the battery. If the cables have any damage, replace cables.
7. To replace cable(s), remove nut at the Electric Power Stud, cut plastic cables ties and remove cable(s). The cable ties also support and secure other cables and harnesses. Be careful not to damage these components when cutting the cable ties.
8. Route new cable(s) in the same location as the old cable(s). Secure new cable(s) along with other cables and harnesses that were originally secured.
9. Tighten the stud nut at the Electric Power Stud to 11-15 ft.lbs. Tighten the connection at the battery per battery manufacturers' specification. If the bus has a battery disconnect switch, tighten the nut on the 10-32 stud on the battery disconnect switch to 14 in.lbs.
10. Reconnect the batteries.
11. Remove chocks and place bus back in service.
12. See Parts List on Page 4

R I 6 Y L - C

RECALL CAMPAIGN



BLUE BIRD

Vision Starter Cable Routing

RECALL

12. Parts List (continued):

Without Battery Disconnect Switch Kit A GP 31 Batteries		
Part Number	Description	Quantity
00085568	Cable, Assy, Bat, POS to PDU Elec Group 1150	1
00029999	Tie, Cable, 120 lb. 15.25L	3
00029998	Tie Cable, 250 lb.	5
With Battery Disconnect Switch Kit B GP 31 Batteries		
Part Number	Description	Quantity
00074377	Cable, Bat, POS to BAT/Disc, 4GA, H/D Box BBCV	1
00074379	Cable Assy, Battery, Disc to Elec Stud, BBCV	1
00029999	Tie, Cable, 120 lb. 15.25L	3
00029998	Tie, Cable, 250 lb.	7
Without Battery Disconnect Switch Kit C 8D Batteries		
Part Number	Description	Quantity
00085566	Cable, Assy, Bat, POS TO REM/PDU PWR 2 8D	1
00029999	Tie, Cable, 120 lb. 15.25L	3
00029998	Tie Cable, 250 lb.	5
With Battery Disconnect Switch Kit D 8D Batteries		
Part Number	Description	Quantity
00074370	Cable Assy, Bat, POS to Disc Sw, 2-8D BBCV	1
00074379	Cable Assy, Battery, Disc to Elec Stud, BBCV	1
00029999	Tie, Cable, 120 lb. 15.25L	3
00029998	Tie, Cable, 250 lb.	7

R I 6 Y L - C
- R E C A L L C A M P A I G N -