



Rear Air Disc Brake Axle Shaft Flange Gasket Replacement

BULLETIN

S16YU REPLACES S16YN

Models Affected: 2015 through 2017 Vision and All American with Air Disc Brakes

ISSUE

Rear axle shaft flange gasket torque relaxes allowing for possible oil leak between the axle shaft and hub.

CORRECTIVE ACTION

Replace the existing rear axle flange gasket with a new gasket and with new star washers. If the original locking nut has not been replaced with a new non-locking nut, replace locking nuts with non-locking nuts.

PROCEDURE

WARNING: Always follow all Federal, State, Local and Shop safety standards and use proper safety equipment, and thoroughly read and understand all instructions before performing these procedures.

GASKET AND WASHER REPLACEMENT PROCEDURE

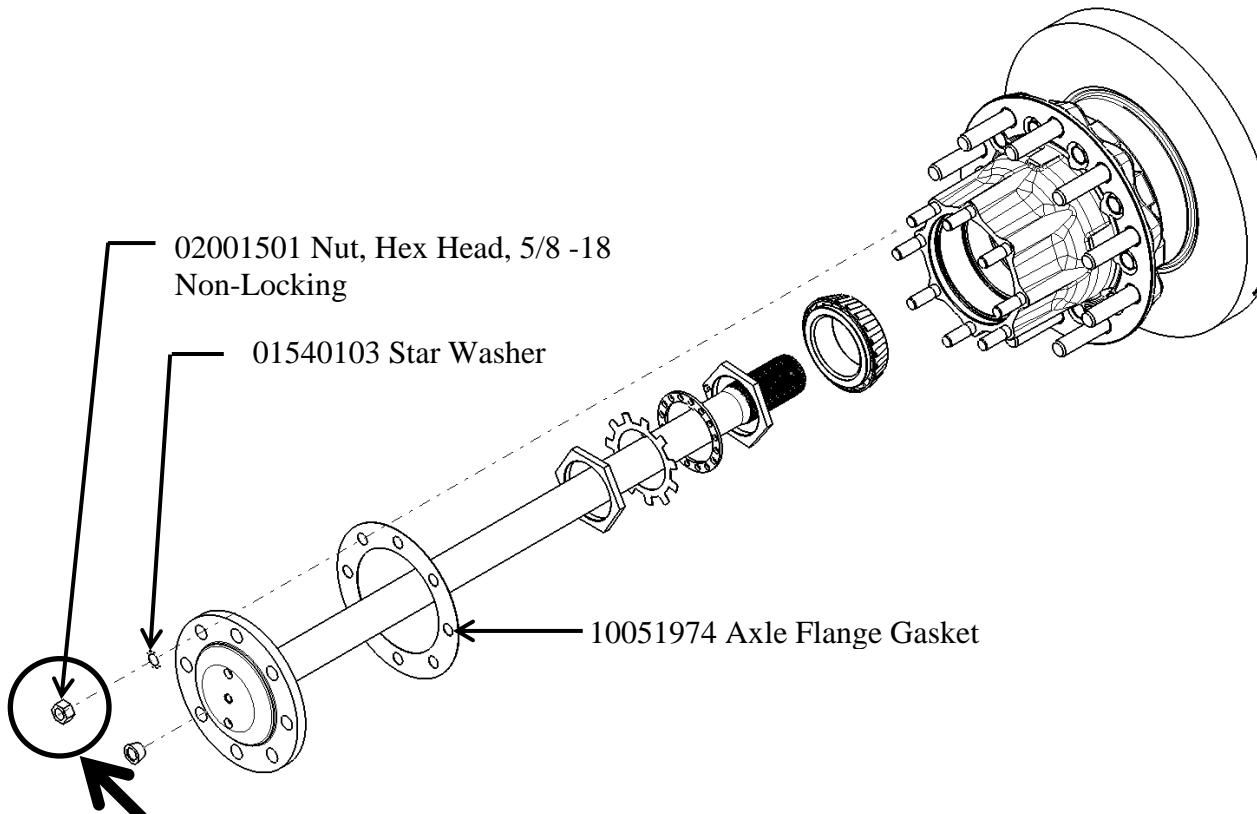
1. Park bus on level surface, turn off engine, remove ignition key, and chock wheels.
2. To reduce the possibility of the stud being removed when removing nuts with paint, remove the paint from the existing rear axle shaft flange studs.
3. Remove all (8) eight nuts and star washers on both sides. Replace existing axle flange gasket with new 10051974 gasket on both sides and install axle shaft. If a stud comes out during removal of nut, remove the nut from the stud and reinstall the stud into the hub. Torque stud to 60 to 70 ft-lb.
4. If the bus has the original locknuts, replace with new non-locking nuts. Install eight (8) new star washers 01540103 and eight (8) non-locking nuts 02001501 (removed from axle studs) on both sides.
5. Torque nuts to 60-70 ft-lb.
6. Re-torque all nuts to 170-180 ft-lb. in a “star” pattern.

S16YU

S E R V I C E B U L L E T I N

Rear Air Disc Brake Axle Shaft Flange Gasket Replacement

REAR AIR DISC BRAKE



Non-locking nut 02001501

If there are locknuts on the rear axle studs, remove and discard lock nuts and washers.



Rear Air Disc Brake Axle Shaft Flange Replacement

BULLETIN

PARTS LIST FOR REPLACING BOTH GASKETS

PART NUMBER	DESCRIPTION	QUANTITY
10051974	GASKET	2
01540103	WASHER,STAR, .62 , ZINC PLATED	16

PARTS LIST FOR REPLACING BOTH GASKETS AND ALL NUTS

PART NUMBER	DESCRIPTION	QUANTITY
02001501	NUT,HEX HD,5/8-18 YEL ZN DICH	16
01540103	WASHER,STAR, .62 , ZINC PLATED	16
10051974	GASKET	2

S I 6 Y U

S E R V I C E B U L L E T I N